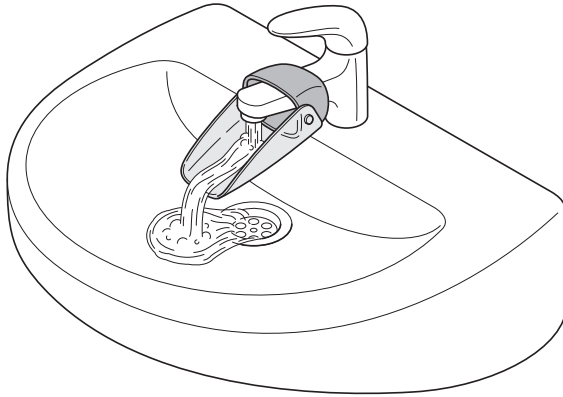


## Faucet Extender for Kitchen and Bathtub Sink

Our universal faucet extender fits perfectly on any faucet, bringing water closer to those little hands. Just slip it over any tap, and that's it—water flows right to your toddler's reach. Made of durable silicone, it's a cinch to install and remove. Let your tot conquer the sink from their trusty step stool and watch their confidence soar with every wash!



## Thank you for your trust in our products

We are committed to providing you with the highest quality and service.

# 1-YEAR WARRANTY

Rest assured, the stool is designed for longevity. In an effort to provide complete peace of mind, we guarantee that, if there be any defects concerning the material, functionality, or craftsmanship, please contact us directly. We will repair or replace the stool promptly.

## This warranty does not cover:

- Any damage caused by improper use or neglect.
- Damage resulting from repairs or alterations made by anyone other than the manufacturer.
- Damage resulting from excessive load beyond the maximum stated weight capacity.
- Damage caused by natural disasters, like fire, flood, or earthquakes.



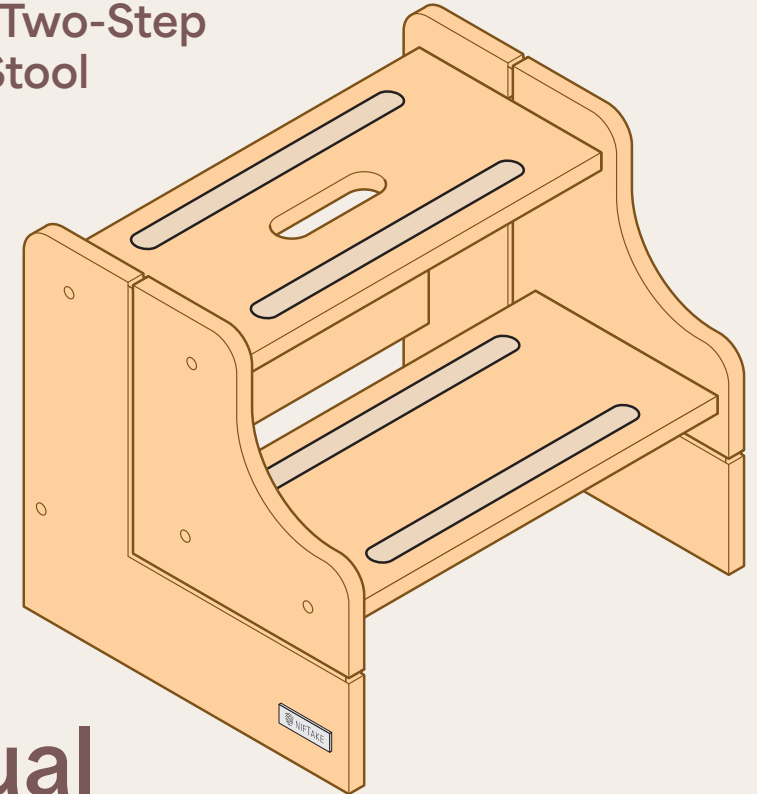
To use this warranty, please email the description of your problem, photos, and your order number to [support@niftake.com](mailto:support@niftake.com)



Email QR Code



## Compact Two-Step Bamboo Stool



## User manual



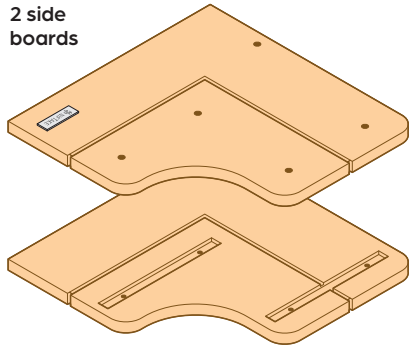
Step-by-step video instructions for super-easy assembly:

Please follow the QR or go to <https://niftake.com/assembly>

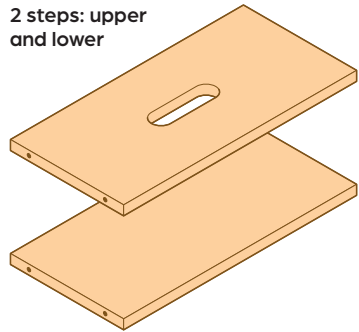


## What's in the Box

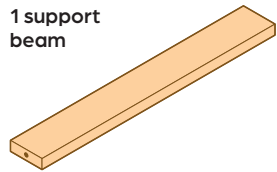
2 side boards



2 steps: upper and lower



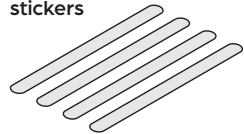
1 support beam



10 bolts



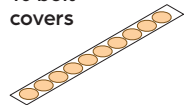
4 anti-slip stickers



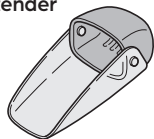
4 anti-slip pads



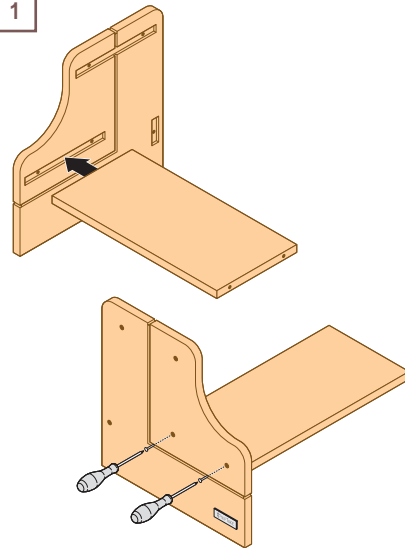
10 bolt covers



1 faucet extender

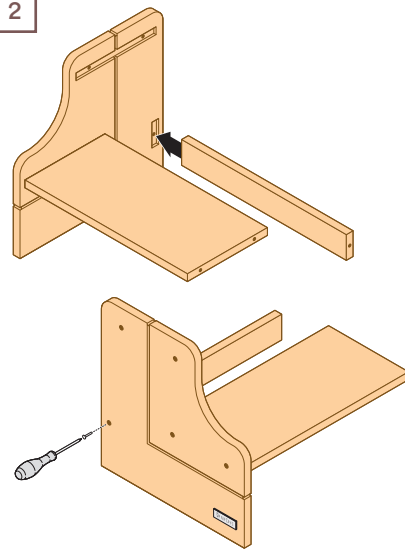


1



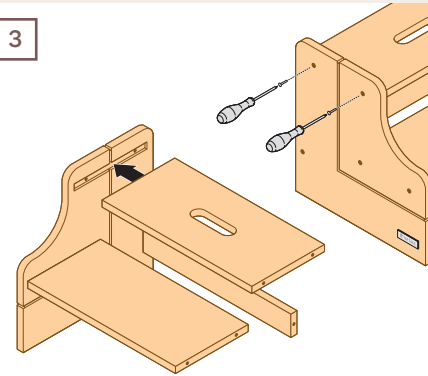
Hold one of the two side boards and attach the lower step (the one that doesn't have a handle hole) to it with two bolts using a screwdriver. Do not tighten the bolts at this step.

2



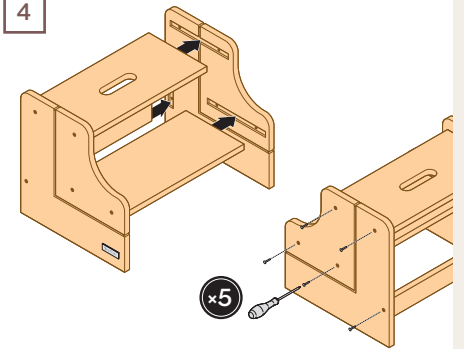
Attach the support beam to the side board with one bolt. Do not tighten the bolt.

3



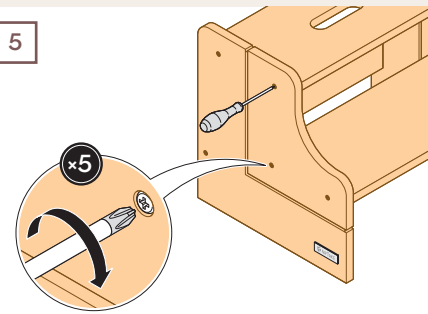
Attach the upper step (the one that has a handle hole) to the side board with two bolts. Do not tighten the bolts.

4



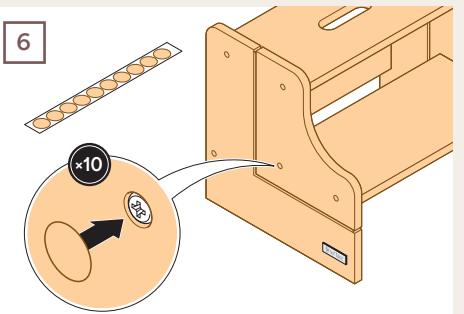
Attach the other side board to the two steps (with two bolts for each) and to the support beam (with one bolt). At this step, you can tighten the bolts, but make sure not to overdo it: stop when you feel resistance.

5



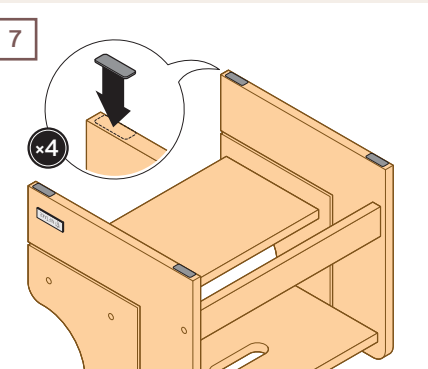
Tighten all the remaining bolts, but make sure not to overdo it: stop when you feel resistance.

6



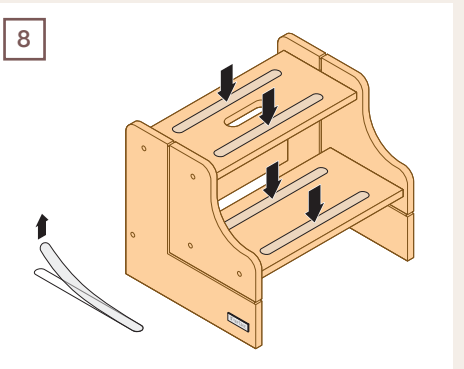
Stick the bolt covers onto the bolt heads all around the stool.

7



Flip the stool upside down and attach the four anti-slip pads to the bottom.

8



Optionally, install the anti-slip stickers: two on the lower step, and two on the upper step. Remove the protective layer from the stickers.